



BED EXTENDER BRACKET INSTALLATION INSTRUCTIONS

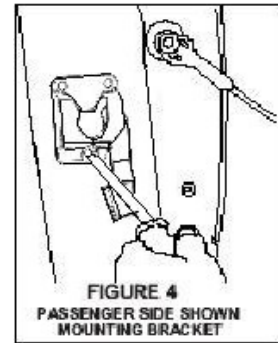
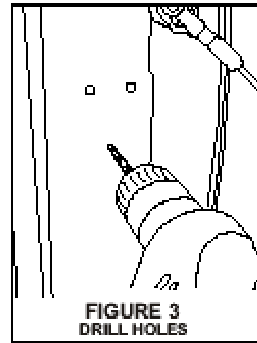
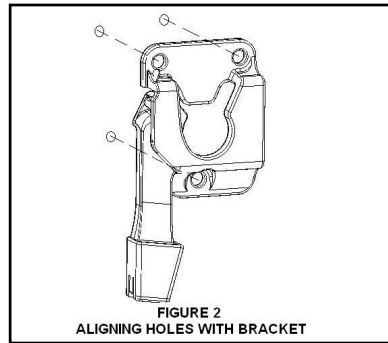
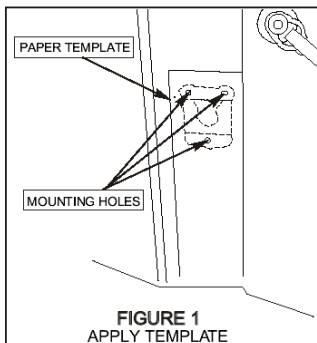
AUTOMOTIVE PRODUCTS, INC.

| QTY | PARTS KIT CONTENTS DESCRIPTION | TOOLS REQUIRED |
|-----|-----------------------------------|---------------------------|
| 1 | DRIVERS QUICK LATCH BRACKET | 9/64" DRILL BIT |
| 1 | PASSENGER QUICK LATCH BRACKET | PHILLIPS HEAD SCREWDRIVER |
| 6 | SHEET METAL SCREWS | DRILL |

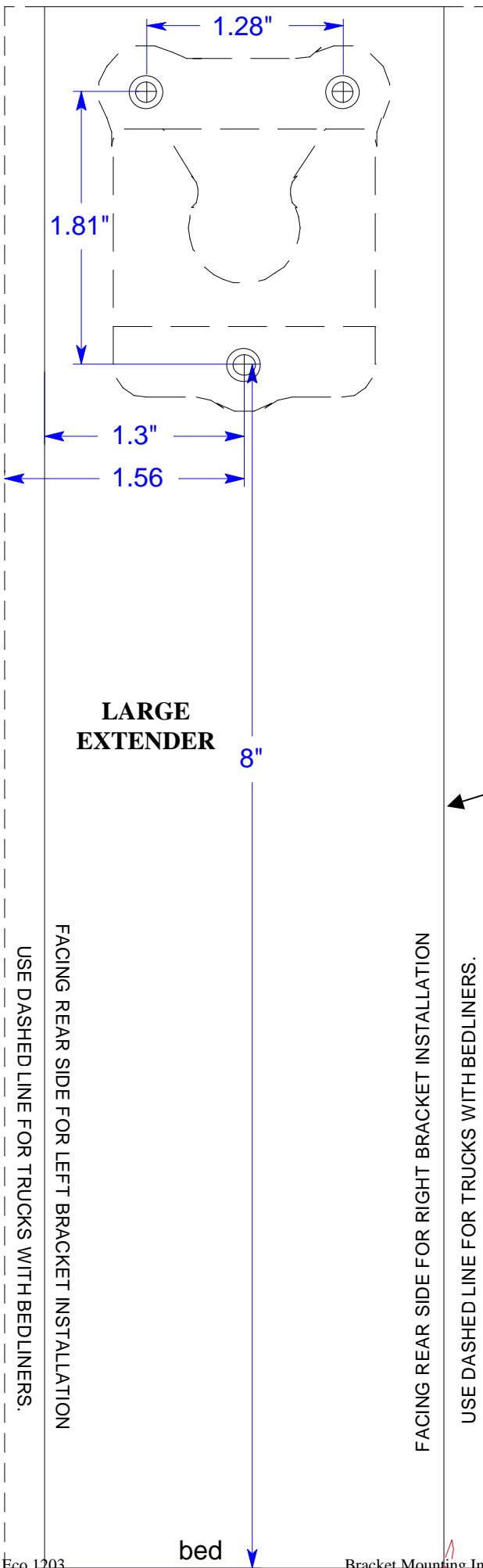
BRACKET MOUNTING INSTRUCTIONS

- Step 1. Remove contents from box and check for damage. Verify all parts against parts list. Read and understand instructions completely before installation.
- Step 2. Position and hold template on passenger side for quick latch bracket as shown (See Figure 1). (FOR TOYOTA, NISSAN, CHEVY S-10, GMC up to '94, and MAZDA up to '94 a separate bracket kit must be ordered). Using a center punch, punch each hole. **NOTE:** If the truck has a bed liner, center punch the bed liner. **DO NOT CUT THE BED LINER!** Repeat for driver side.
- Step 3. Verify hole locations before drilling and make sure quick latch bracket will not interfere with closed tailgate. (See Figure 2). Drill mounting holes for quick latch brackets using 9/64" drill bit (See Figure 2).
- Step 4. Mount passenger side quick latch bracket using (3) Phillips head sheet metal screws. (If the truck has a bed liner, mount quick latch bracket on top of bed liner) (See Figure 3). Repeat for driver side.

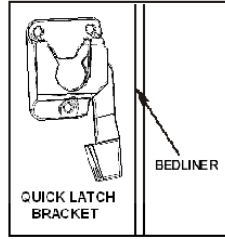
BRACKET MOUNTING INSTRUCTIONS



FOR TRUCKS WITH BEDLINERS, USE THIS
 TEMPLATE ON TOP OF BEDLINER.
DO NOT CUT BEDLINER!



BRACKET INSTALLS
 ON TOP OF
 BEDLINER



CUT OR FOLD
 ALONG THE LINES
 (ALONG THE
 DASHED LINES
 FOR TRUCKS WITH
 BEDLINERS)

