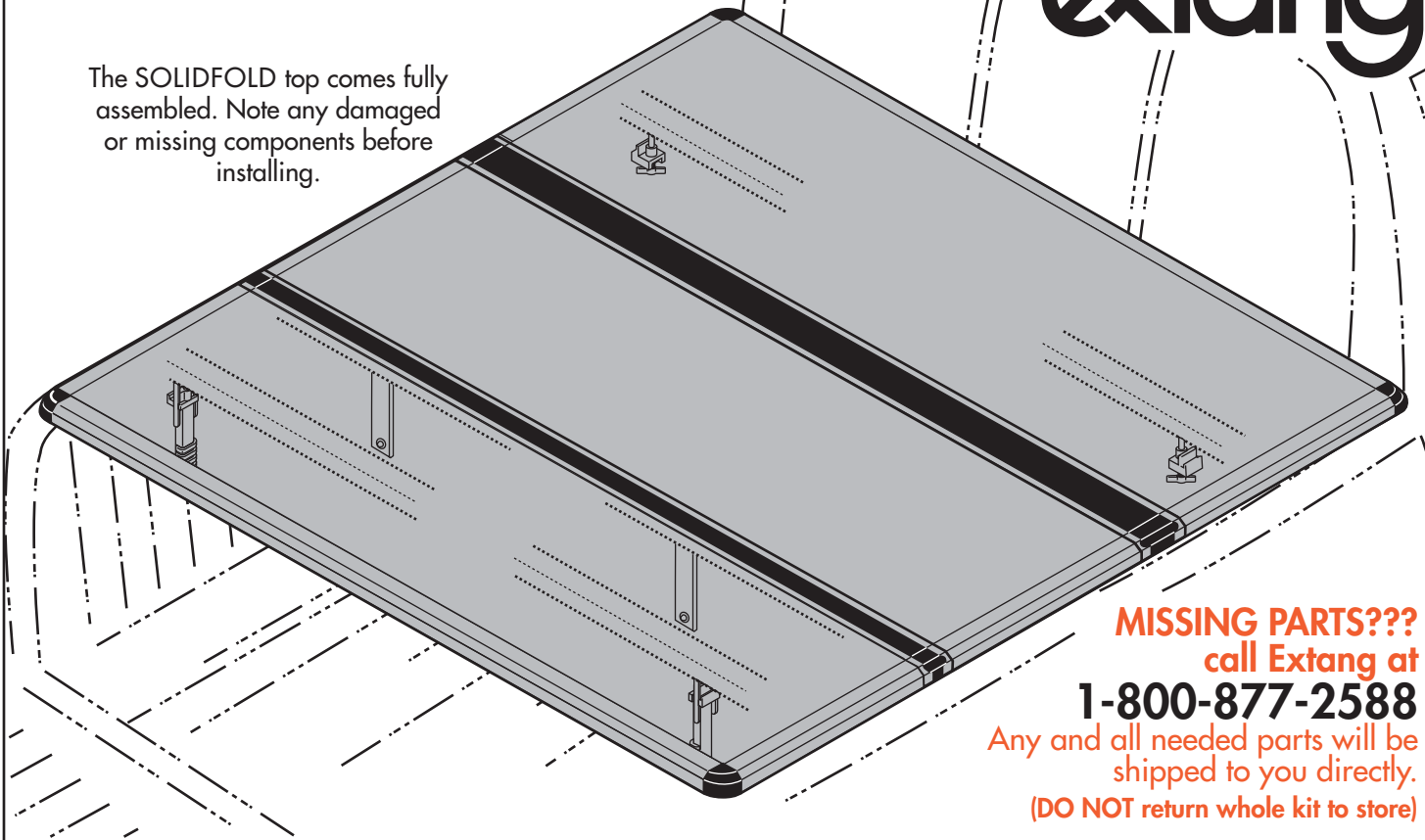


# INSTALLATION SHEET

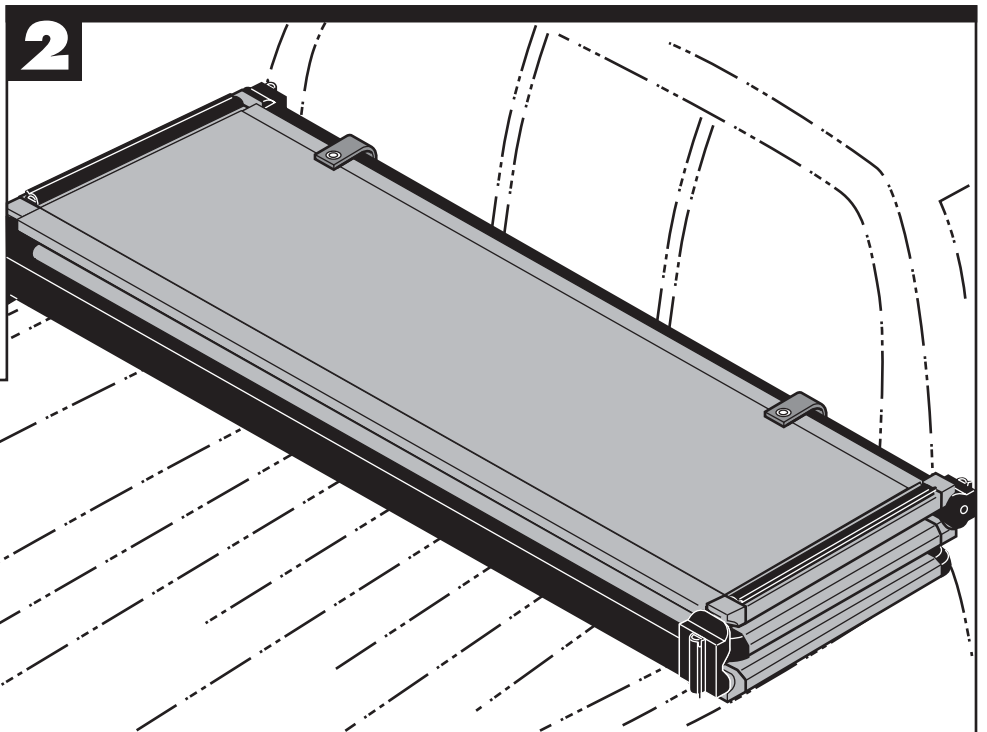
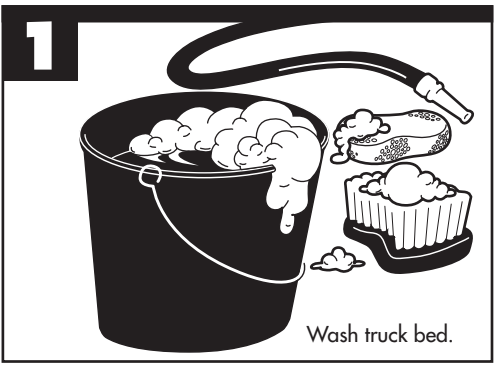
## SOLID FOLD



The SOLIDFOLD top comes fully assembled. Note any damaged or missing components before installing.



**MISSING PARTS???**  
call Extang at  
**1-800-877-2588**  
Any and all needed parts will be shipped to you directly.  
(DO NOT return whole kit to store)

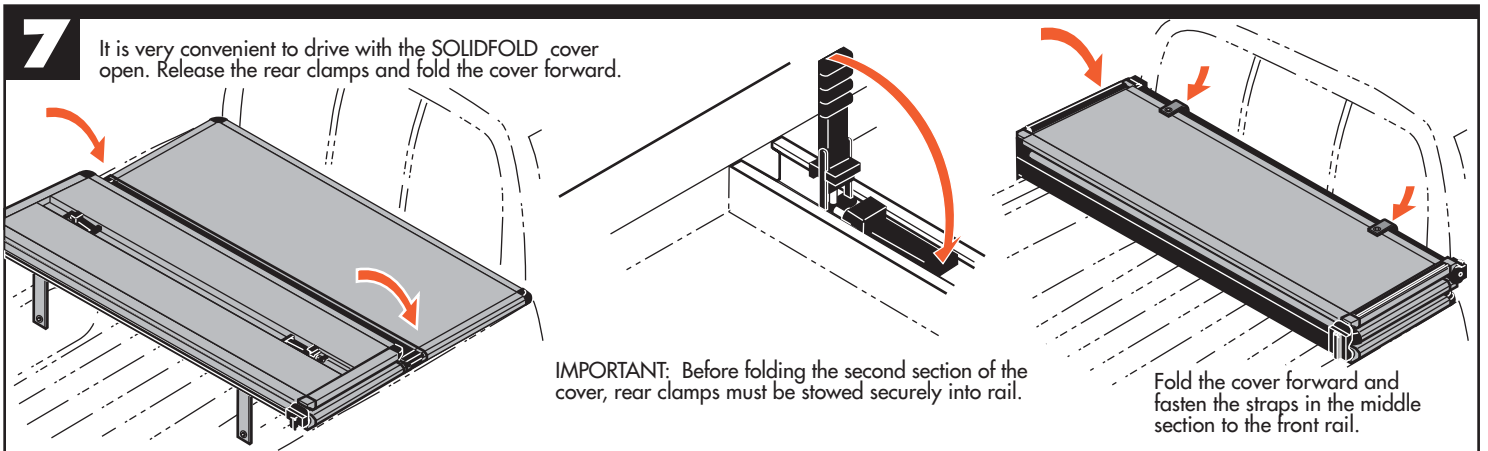
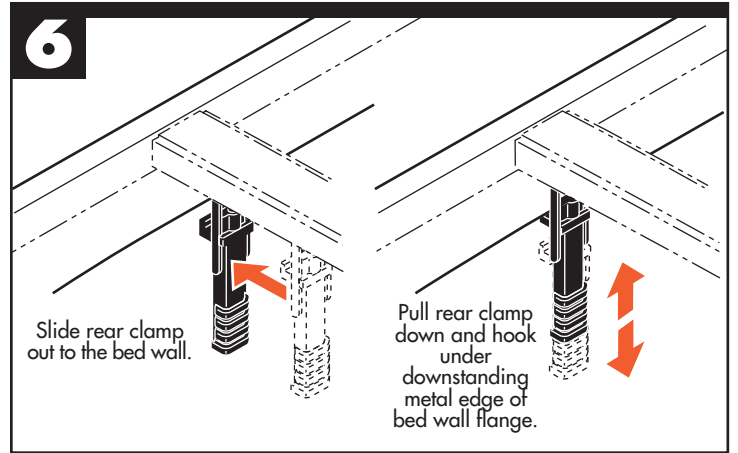
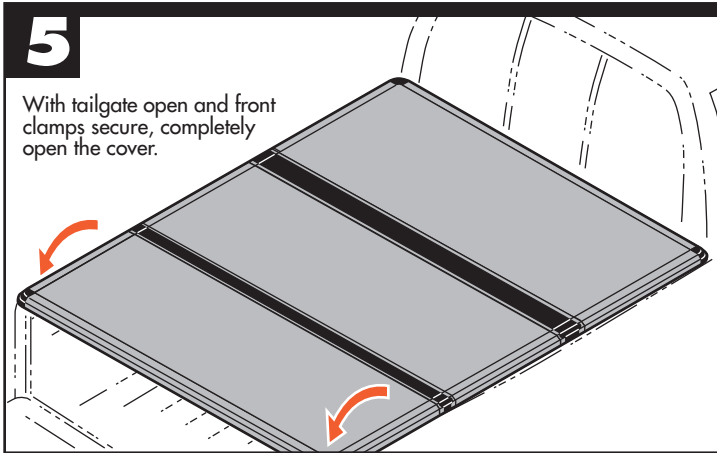
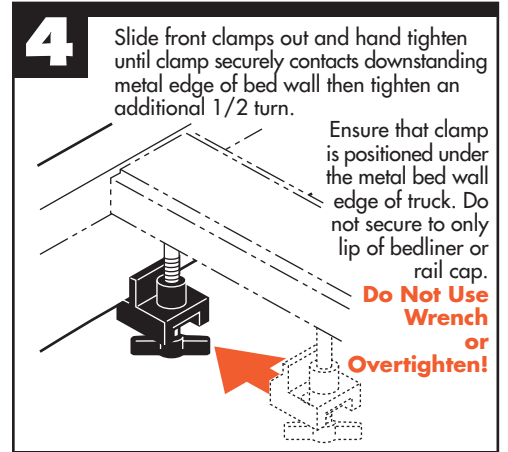
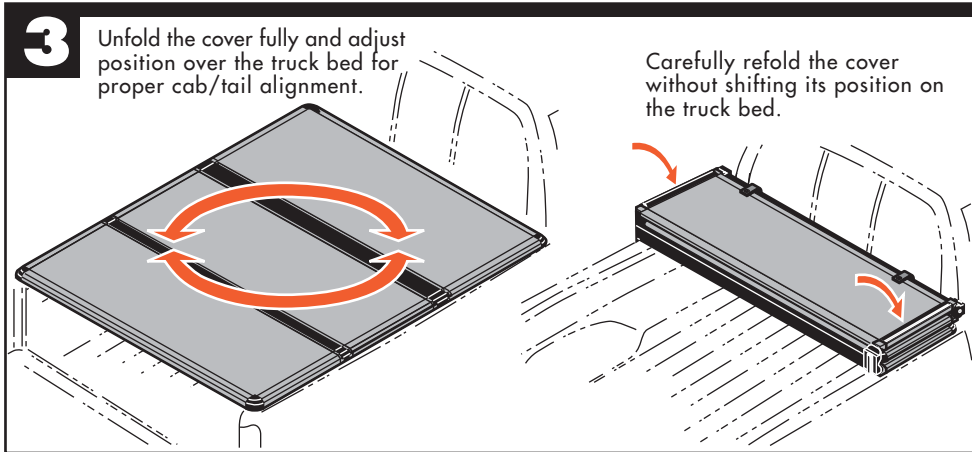


Place assembled cover over cab end of truck box.

**extang**  
Stands for Quality

Extang Corporation  
1901 E. Ellsworth Rd.  
Ann Arbor, MI 48108  
734 677-0444, Fax: 734 677-8409

Visit us at:  
**www.extang.com**  
Item No. 0182-0107 RH Printed in U.S.A.



**IMPORTANT NOTICE**  
 While driving, cover must be completely flat and secure with all four clamps in the closed position or completely folded up (all panels) and secured at the cab. **DO NOT DRIVE** with cover in partially opened position.

Remove any snow or foreign matter  
 ❄ before folding cover. ❄

